



ZIGNOR LED  
IP 44



## LOW UGR

### Your Best Working Partner

Low UGR design makes your daily work more comfortable.  
Flat profile suitable for residential and commercial spaces.



AllNice Linear Light is a flexible and slim luminaire with IP44 for multiple indoor application such as parking, garages, schools, offices, culverts, laundry rooms, kitchens and industrial buildings. It is suitable for surface mounted or wall mounted, rails bracket mounting, horizontal wires and wire suspension. Thanks to the fastener design of end cap, we can save 80% labor cost of installation.

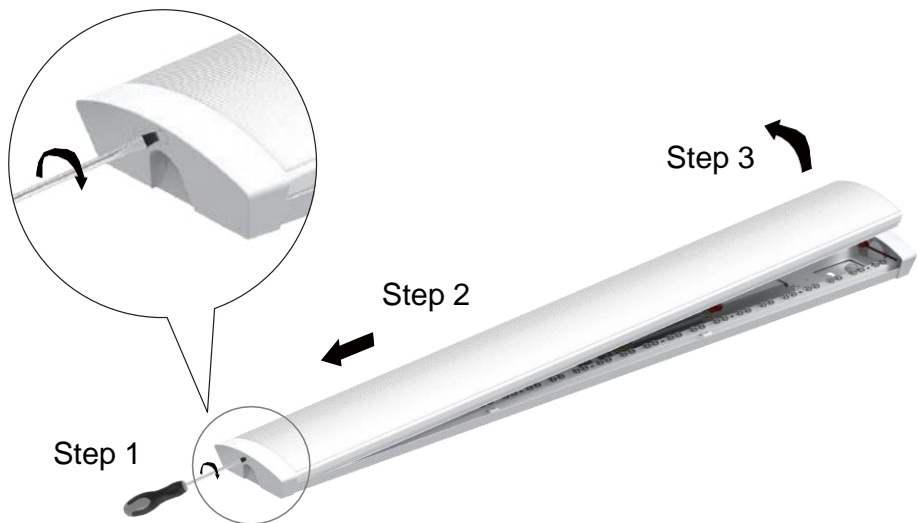
- Easy to install
- PMMA, Low UGR
- Beam Angle: 130°
- 3000K, 4000K, 5000K, 6000K, SMD2835

IP 44	L80 80000 H	LOW UGR
-------	-------------	---------

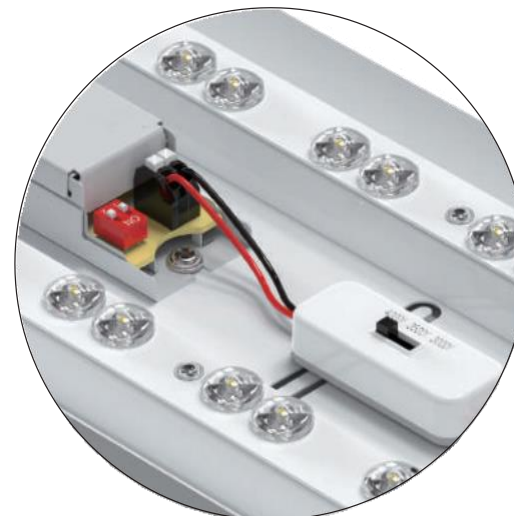
--	--	--	--	--

# Features

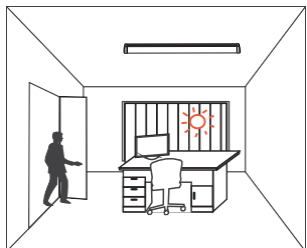
## Easy to open



## CCT Selectable & Power Switchable



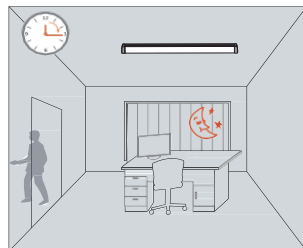
## Microwave sensor



The light keeps off during daytime even when movement is detected. (Ambient lux level is above preset daylight threshold)



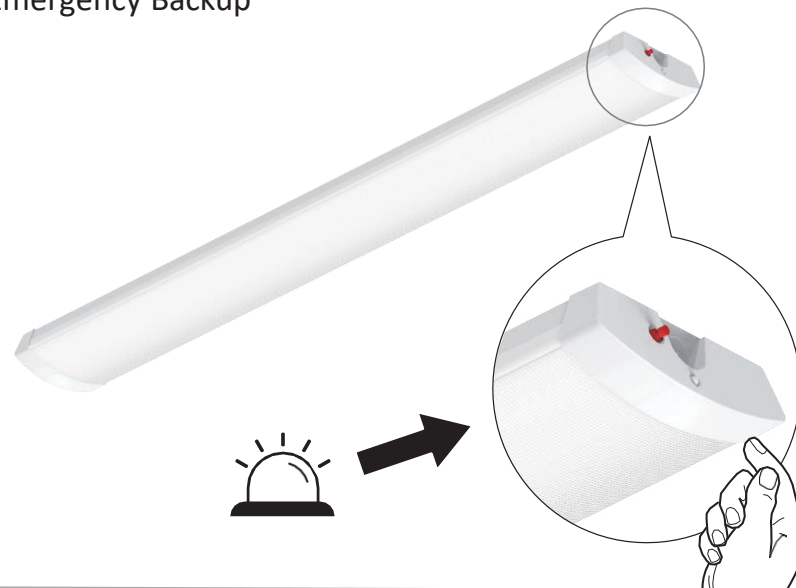
With movement and insufficient ambient lux level, the light is triggered on by the detector.



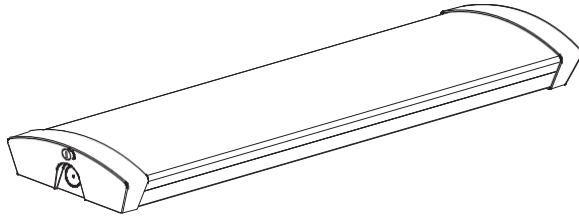
If there is no more movement, the light turns off automatically after hold-time preset.

Sensitivity	Hold Time	Daylight Sensor	Detection Range
25%/50%/75%/100%	5s/30s/1min/3min/5min /10min/20min/30min	2lux/10lux/25lux/50lux, disable	Max Ø10m @ 3m

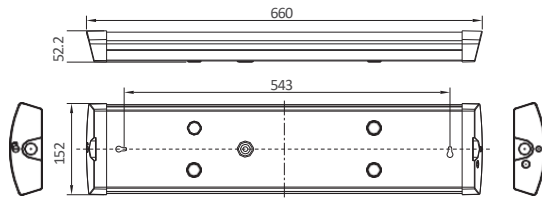
## Emergency Backup



# ZIGNOR LED IP 44



### Dimension ( mm )



### Maximum load ing of automatic circuit breakers

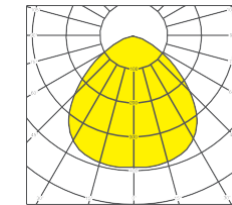
Driver	Product code	Inrush current I peak	Inrush current T width	MCB B type 10A	MCB B type 16A	MCB B type 25A	MCB C type 10A	MCB C type 16A	MCB C type 25A
BOKE	AL2J1W-20XX-B1	9.65A	184 μs	35	57	89	59	95	148
BOKE	AL2J1W-20XX-B4	6.5A	206 μs	48	77	120	57	91	142

### General Information

Dimensions	660*152*52.5mm
Weight	1,6 kg
Material	Steel+ PMMA
Optical cover	BWF PMMA
Housing	White / Black
Protection class IEC	Safety class I
Protection class	IP44
Operating temperature	-20° + 40°C
Storing temperature	-25° + 65°C

Input voltage	220 - 240V AC
Input Frequency	50 or 60 Hz
Power Factor	> 0.95
Switching cycles before failure	> 500.000
Function	DALI 2.0/ Sensor/ Emergency
Warranty period	5 years
L80	>80000 hours

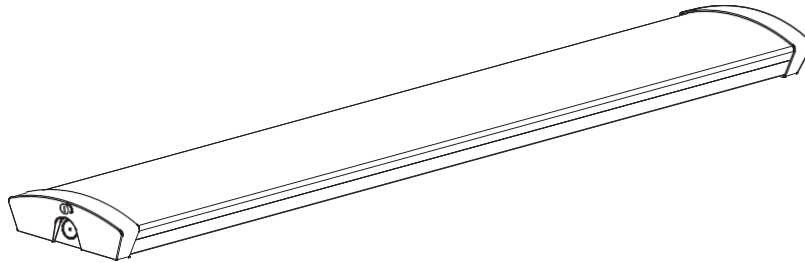
SDCM	< 3
CRI	Ra>80 or Ra>90
Initial LED luminaire efficacy	110-130 lm/w



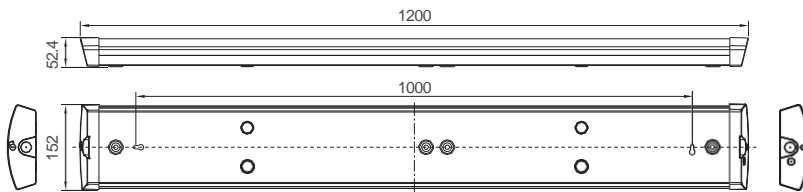
120°

### Datasheet

TYPE	Housing	POWER (W)	LUMEN (LM)	EFFICACY (LM/W)	CCT K	Driver ( Brand)	Function
AL2J1W-20XX-B1	White	20/17/14/12W	Max 2200	110	3000K/4000K/5000K/6000K	BOKE	ON/OFF
AL2J1W-20AF-B1	White	20/17/14/12W	Max 2200	110	Tri-color 3000K/4000K	BOKE	ON/OFF
AL2J1W-20XX-B4	White	20/17/14/12W	Max 2200	110	3000K/4000K/5000K/6000K	BOKE	DALI 2.0
AL2J1W-20AF-B4	White	20/17/14/12W	Max 2200	110	Tri-color 3000K/4000K	BOKE	DALI 2.0



### Dimension ( mm )



### Maximum loading of automatic circuit breakers

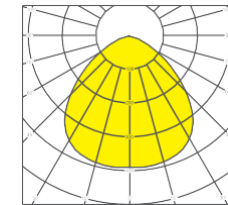
Driver	Product code	Inrush current I peak	Inrush current T width	MCB B type 10A	MCB B type 16A	MCB B type 25A	MCB C type 10A	MCB C type 16A	MCB C type 25A
BOKE	AL4J1W-40XX-B1	18.1A	226µs	15	24	38	25	40	63
BOKE	AL4J1W-40XX-B4	7.9A	180 µs	36	58	91	36	58	91

### General Information

Dimensions	1200*152*52.5mm
Weight	2,8 kg
Material	Steel+ PMMA
Optical cover	BWF PMMA
Housing	White / Black
Protection class IEC	Safety class I
Protection class	IP44
Operating temperature	-20° + 40°C
Storing temperature	-25° + 65°C

Input voltage	220 - 240V AC
Input Frequency	50 or 60 Hz
Power Factor	> 0.95
Switching cycles before failure	> 500.000
Function	DALI 2.0/ Sensor/ Emergency
Warranty period	5 years
L80	>80000 hours

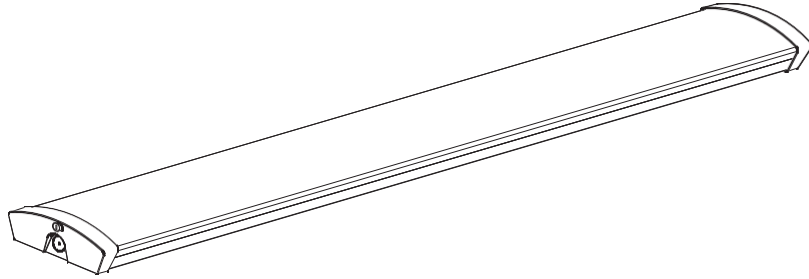
SDCM	< 3
CRI	Ra>80 or Ra>90
Initial LED luminaire efficacy	119-130 lm/w



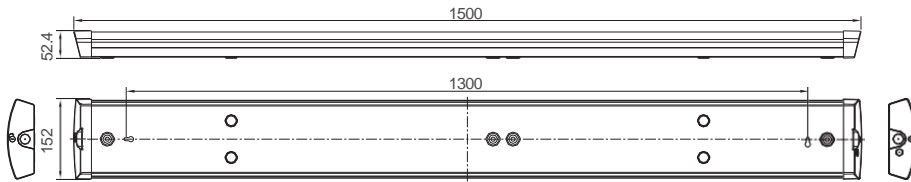
120°

### Datasheet

TYPE	Housing	POWER ( W )	LUMEN ( LM )	EFFICACY ( LM/W )	CCT K	Driver ( Brand )	Function
AL4J1W-40XX-B1	White	40/34/28/23W	Max 4700	119	3000K/4000K/5000K/6000K	BOKE	ON/OFF
AL4J1W-40AF-B1	White	40/34/28/23W	Max 4700	119	Tri-color 3000K/4000K	BOKE	ON/OFF
AL4J1W-40XX-B4	White	40/34/28/23W	Max 4700	119	3000K/4000K/5000K/6000K	BOKE	DALI 2.0
AL4J1W-40AF-B4	White	40/34/28/23W	Max 4700	119	Tri-color 3000K/4000K	BOKE	DALI 2.0



**Dimension ( mm )**



**Maximum loading of automatic circuit breakers**

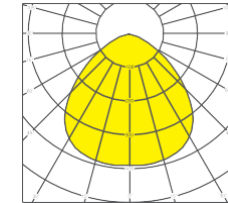
Driver	Product code	Inrush current I peak	Inrush current T width	MCB B type 10A	MCB B type 16A	MCB B type 25A	MCB C type 10A	MCB C type 16A	MCB C type 25A
BOKE	AL5J1W-53XX-B1	23A	242µs	11	18	27	18	29	46
BOKE	AL5J1W-53XX-B4	9.1A	173 µs	23	36	57	23	36	57

**General Information**

Dimensions	1500*152*52.5mm
Weight	3,5 kg
Material	Steel+ PMMA
Optical cover	BWF PMMA
Housing	White / Black
Protection class IEC	Safety class I
Protection class	IP44
Operating temperature	-20° + 40°C
Storing temperature	-25° + 65°C

Input voltage	220 - 240V AC
Input Frequency	50 or 60 Hz
Power Factor	> 0.95
Switching cycles before failure	> 500.000
Function	DALI 2.0/ Sensor/ Emergency
Warranty period	5 years
L80	>80000 hours

SDCM	< 3
CRI	Ra>80 or Ra>90
Initial LED luminaire efficacy	120-130 lm/w



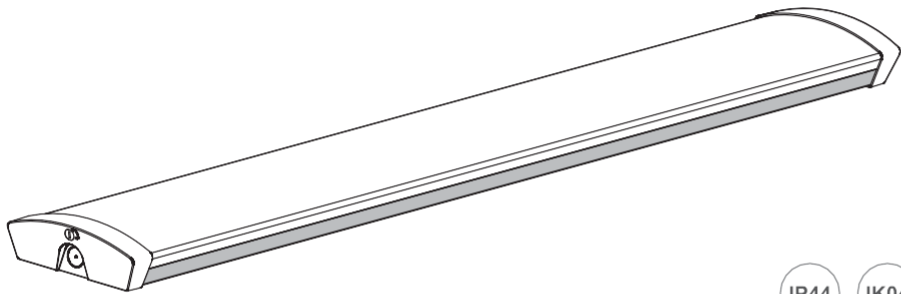
120°

**Datasheet**

TYPE	Housing	POWER (W)	LUMEN (LM)	EFFICACY (LM/W)	CCT K	Driver (Brand)	Function
AL5J1W-53XX-B1	White	53/45/37/30W	Max 6380	120	3000K/4000K/5000K/6000K	BOKE	ON/OFF
AL5J1W-53AF-B1	White	53/45/37/30W	Max 6380	120	Tri-color 3000K/4000K	BOKE	ON/OFF
AL5J1W-53XX-B4	White	53/45/37/30W	Max 6380	120	3000K/4000K/5000K/6000K	BOKE	DALI 2.0
AL5J1W-53AF-B4	White	53/45/37/30W	Max 6380	120	Tri-color 3000K/4000K	BOKE	DALI 2.0



# Installation

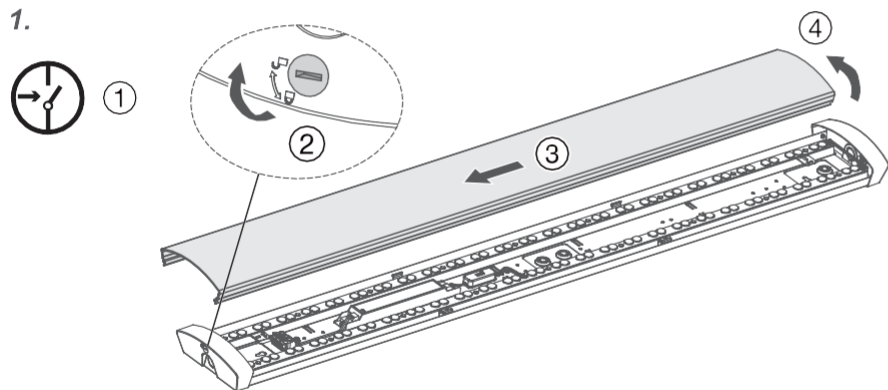
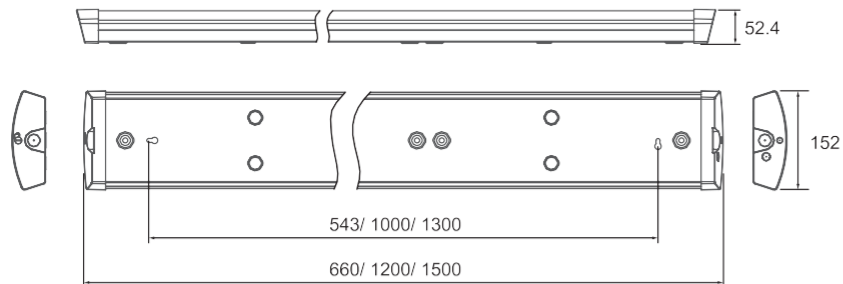


IP44 IK04

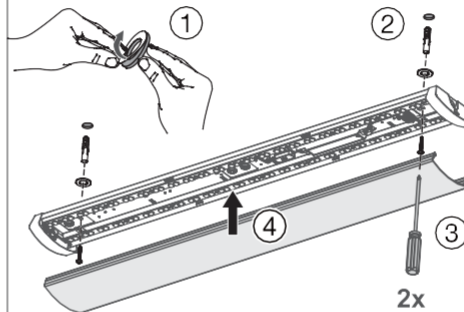


**D** This product contains a light source of energy efficiency class D.

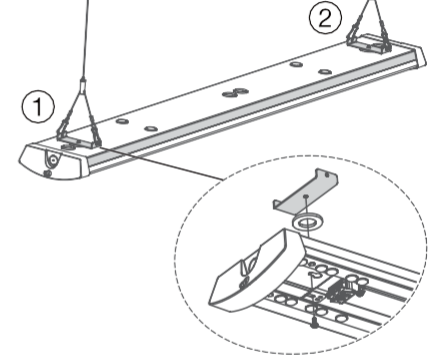
unit: mm



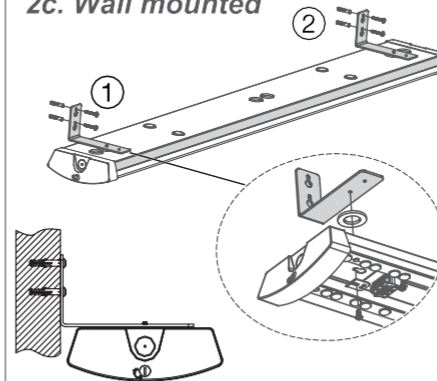
## 2a. Ceiling mounted



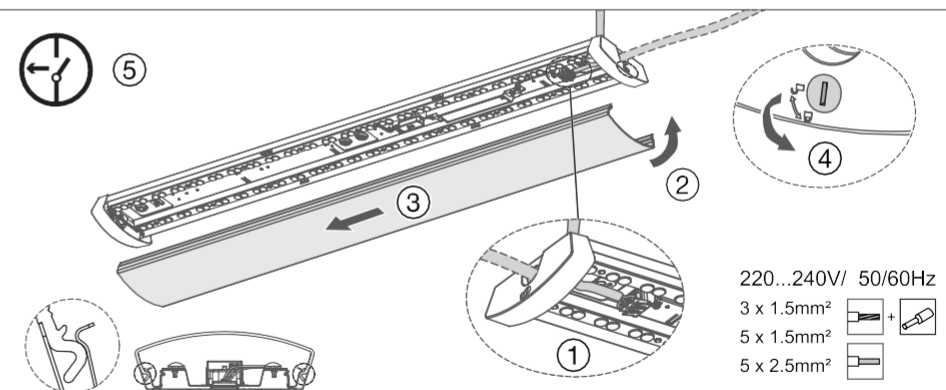
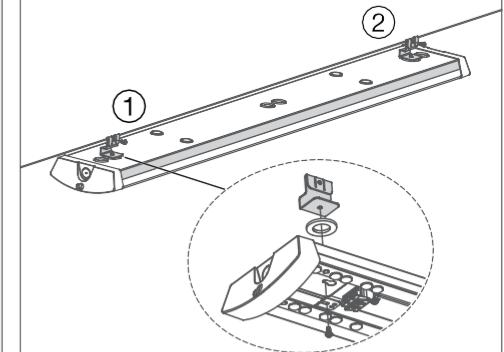
## 2b. Suspension



## 2c. Wall mounted

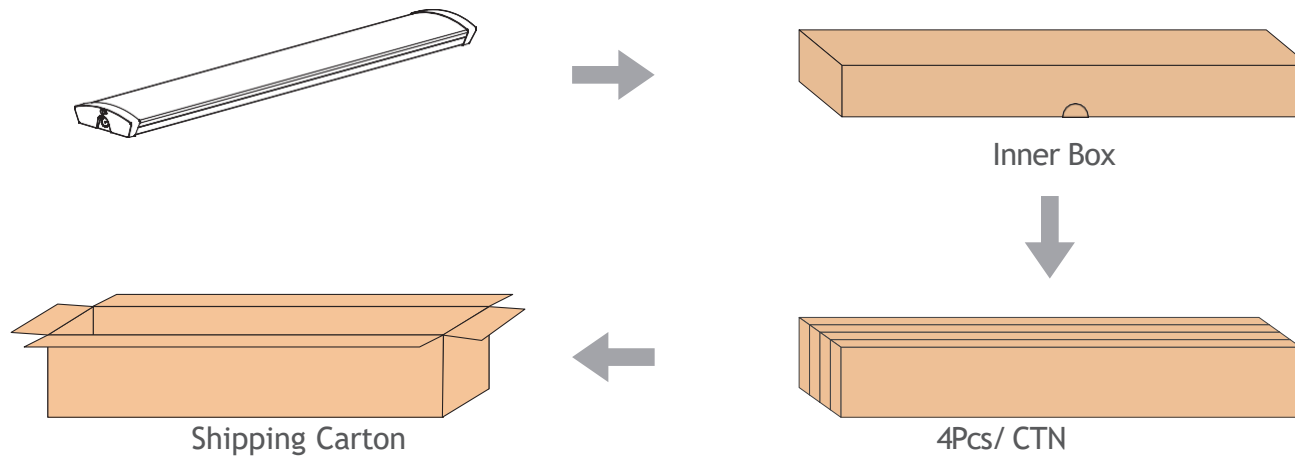


## 2d. Horizontal wire suspension



## Package

Length	Outer Carton	Qty/Carton	Unit N.W	G.W/Carton
600mm	700 x 265 x 185mm	4Pcs	7KG	8.5KG
1200mm	1240 x 265 x 185mm	4Pcs	11.5KG	13KG
1500mm	1540 x 265 x 185mm	4Pcs	14.5KG	16KG



## ! Caution

- ※ In case of electric shock, please make sure the power is off before installation.
- ※ The lamp should be installed and operated by a qualified electrician or technician in accordance with relevant local codes.
- ※ Do not use sharp tools near or on the surface of the lamp.
- ※ Unpack and examine the product carefully. Report any damage and save all packing materials if any portion of the product was damaged during transportation.